

Techline CV Drip Irrigation

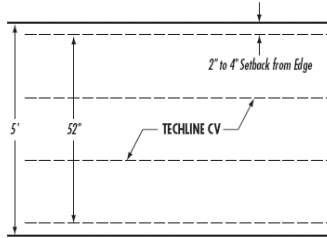


Features

- New 2 PSI (4½') check valve feature standard in every dripper
- New 0.26 GPH flow rate for heavy loam and clay soils
- New darker tubing color
- Uses all Techline fittings

Applications

- Subsurface or on-surface installations
- Slopes
- Curved, angular or narrow planting area
- High traffic/high liability areas
- Areas subject to vandalism
- High wind areas
- Turf, shrubs, trees, flowers
- At-grade windows
- Sports turf
- Tennis courts



Product	Description	Pkg	Each
Techline CV Dripperline .6 gph Flow			
TLCV6-1210	12" Dripper Spacing, 1,000 Ft. Coil	1	
TLCV6-12025	12" Dripper Spacing, 250 Ft. Coil	1	
TLCV6-1201	12" Dripper Spacing, 100 Ft. Coil	1	
TLCV6-1810	18" Dripper Spacing, 1,000 Ft. Coil	1	
TLCV6-18025	18" Dripper Spacing, 250 Ft. Coil	1	
TLCV6-1801	18" Dripper Spacing, 100 Ft. Coil	1	
TLCV6-2410	24" Dripper Spacing, 1,000 Ft. Coil	1	
TLCV6-24025	24" Dripper Spacing, 250 Ft. Coil	1	
TLCV6-2401	24" Dripper Spacing, 100 Ft. Coil	1	

Product	Description	Pkg	Each
Techline CV Dripperline .4 gph Flow			
TLCV4-1210	12" Dripper Spacing, 1,000 Ft. Coil	1	
TLCV4-12025	12" Dripper Spacing, 250 Ft. Coil	1	
TLCV4-1201	12" Dripper Spacing, 100 Ft. Coil	1	
TLCV4-1810	18" Dripper Spacing, 1,000 Ft. Coil	1	
TLCV4-18025	18" Dripper Spacing, 250 Ft. Coil	1	
TLCV4-1801	18" Dripper Spacing, 100 Ft. Coil	1	
TLCV4-2410	24" Dripper Spacing, 1,000 Ft. Coil	1	
TLCV4-24025	24" Dripper Spacing, 250 Ft. Coil	1	
TLCV4-2401	24" Dripper Spacing, 100 Ft. Coil	1	

Product	Description	Pkg	Each
Techline CV Dripperline .9 gph Flow			
TLCV9-1210	12" Dripper Spacing, 1,000 Ft. Coil	1	
TLCV9-12025	12" Dripper Spacing, 250 Ft. Coil	1	
TLCV9-1201	12" Dripper Spacing, 100 Ft. Coil	1	
TLCV9-1810	18" Dripper Spacing, 1,000 Ft. Coil	1	
TLCV9-18025	18" Dripper Spacing, 250 Ft. Coil	1	
TLCV9-1801	18" Dripper Spacing, 100 Ft. Coil	1	
TLCV9-2410	24" Dripper Spacing, 1,000 Ft. Coil	1	
TLCV9-24025	24" Dripper Spacing, 250 Ft. Coil	1	
TLCV9-2401	24" Dripper Spacing, 100 Ft. Coil	1	

Product	Description	Pkg	Each
Blank Tubing			
TLCV001	100' Dripper Line Blank	1	
TLCV0025	250' Dripper Line Blank	1	
TLCV010	1000' Drip Line Blank	1	

TECHLINE® CV General Guidelines

TABLE 1	TURF			SHRUB and GROUND COVER		
	Clay Soil	Loam Soil	Sandy Soil	Clay Soil	Loam Soil	Sandy Soil
Dripper Flow	0.26 GPH	0.4 GPH	0.6 GPH	0.26 GPH	0.4 GPH	0.6 GPH
Dripper Interval	18"	12"	12"	18"	18"	12"
Lateral (Row) Spacings	18" - 22"	18" - 22"	12" - 16"	18" - 24"	18" - 24"	16" - 20"
Burial Depth	On-surface or bury evenly throughout the zone to a maximum of 6 inches					
Application Rate (in./hr.)	.19 - .15	.43 - .35	.96 - .72	.19 - .14	.29 - .21	.72 - .58
Time to Apply ¼" of Water (in minutes)	79 - 100	35 - 43	16 - 21	79 - 107	52 - 71	21 - 26

Maximum spacing recommendations: Following these spacing guidelines, dripper flow selection can be increased if desired by the designer.

TECHLINE® CV Maximum Length of a Single Lateral (feet)

TABLE 2	INLET PRESSURE (psi)	TECHLINE CV DRIPPER SPACING								
		12"			18"			24"		
15	127	109	86	65	177	151	120	91	152	116
25	427	325	256	194	604	459	361	274	458	348
35	539	409	322	244	763	579	456	346	580	440
45	618	469	369	280	877	664	523	397	666	506
Dripper Flow Rate (GPH)	0.26	0.4	0.6	0.9	0.26	0.4	0.6	0.9	0.6	0.9

TABLE 3

TECHLINE® CV Flow (per 100 feet)

DRIPPER SPACING	0.26 GPH Dripper		0.4 GPH Dripper		0.6 GPH Dripper		0.9 GPH Dripper	
12"	26.40 GPH	0.44 GPM	40.00 GPH	0.67 GPM	61.00 GPH	1.02 GPM	92.00 GPH	1.53 GPM
18"	17.58 GPH	0.29 GPM	26.67 GPH	0.44 GPM	41.00 GPH	0.68 GPM	61.00 GPH	1.02 GPM
24"	Not Available	Not Available	Not Available	Not Available	31.00 GPH	0.51 GPM	46.00 GPH	0.77 GPM



We value your business!

17mm Dripperline Fittings

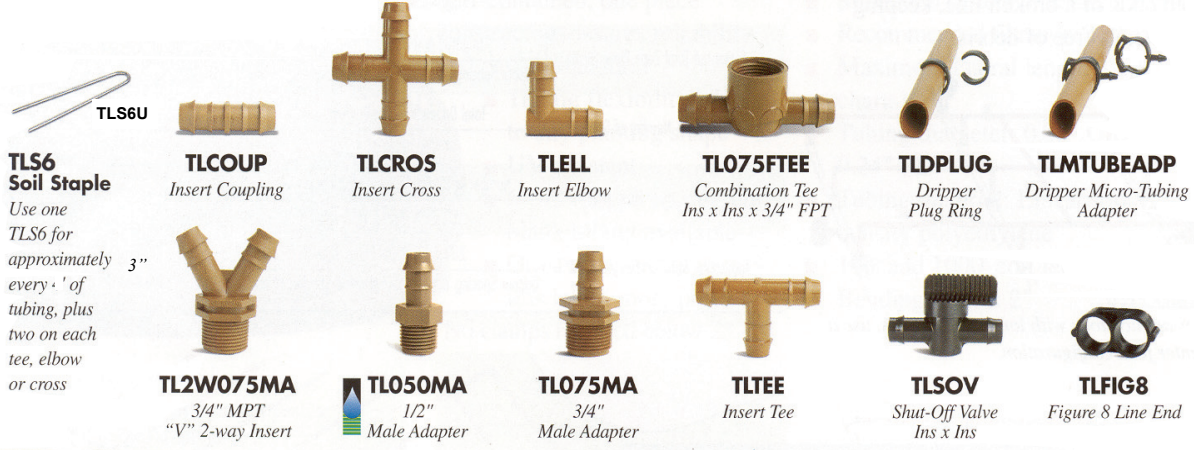
Pressure Compensating Continuous Self-Cleaning Dripperline

Applications

- Fits Techline, 17mm Techlite and BioLine Dripperlines

Features

- Barbed fittings for secure fit and easy installation without glue or tools
- Maximum recommended system pressure: 45 PSI
- UV resistant
- Durable one-piece construction
- Allows for easy on-site inspection or proper fitting installation



TLS6U
TLS6 Soil Staple

Use one TLS6 for approximately 3' every 1' of tubing, plus two on each tee, elbow or cross

TLCOUP
Insert Coupling



TL2W075MA
3/4" MPT "V" 2-way Insert

TLCROS
Insert Cross



TL050MA
1/2" Male Adapter

TLELL
Insert Elbow



TL075MA
3/4" Male Adapter

TL075FTEE
Combination Tee Ins x Ins x 3/4" FPT



TLTEE
Insert Tee

TLDPLUG
Dripper Plug Ring



TLSOV
Shut-Off Valve Ins x Ins

TLMTUBEADP
Dripper Micro-Tubing Adapter



TLFIG8
Figure 8 Line End

Product	Description	Pkg	Each
TLCOUP	Techline Insert Coupling	25	
TLCROSS	Techline Insert Cross	25	
TLELL	Techline Insert Elbow	25	
TL075FTEE	Techline Combination Tee (Ins x Ins x 3/4")	25	
TLDPLUG	Techline Drripper Plug	25	
TLMTUBEADP	Techline Drripper Micro-Tubing Adapter	25	

Product	Description	Pkg	Each
TL2W075MA	Techline "V" 2-Way Insert x 3/4" MPT	25	
TL050MA	Techline Male Adapter 1/2"	25	
TLTEE	Techline Insert Tee	25	
TLSOV	Techline Shut-off Valve (Ins x Ins)	25	
TLFIG8	1/2" Figure Eight Line End	25	
TLS6U	TLS6 Drip Staples	1,000	

Pressure Regulators



Features

- Provides constant outlet pressure
- 6 color-coded interchangeable regulating springs, 15-50 PSI available
- Easy in-line assembly
- Female inlet, male outlet in 3/4" models
- Built-in indicator shows when proper outlet pressure is achieved

Specifications

- 3/4" low flow model .5-5.0 GPM
- 3/4" high flow model 3.5-20.0 GPM
- 1 1/2" model 7.0-40.0 GPM
- 120 (PSI maximum pressure)



* Other sizes are available from 1 1/2" - 3" for flows up to 200 GPM

Note:

ALL drip systems should be regulated to 45 PSI or less to ensure fittings and tubing stay connected.

Operation/Pressure Indicator Set

For use with Drip Irrigation Systems

Features

- Provides quick visual confirmation of system operation
- Flag rises to indicate system pressure



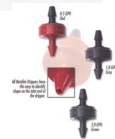
Product	Description	Pkg	Each
PRV075LF20V2K	3/4" MPT x FPT 20 PSI, Low Flow	1	
PRV075HF45V2K	3/4" MPT x FPT 45 PSI, High Flow	1	
PRV15045V2K	1 1/2" MPT x MPT 45 PSI	1	

Product	Description	Pkg	Each
10-F-01	Operation/Pressure Indicator Stake	1	

PCDj Drripper Family Drip Irrigation

Features

- Unique Turbonet design regulates flow and provides continuous self-cleaning action during operation
- Can be used with blank polyethylene tubing, Techline® CV, Techline®, Techlite®, other PC and Non-PC dripperlines
- Delivers the same flow from 7 to 50 psi
- Drripper body is color-coded for flow rates



Product	Description	Pkg	Each
PCJ5	Dripper - .5 gph with check valve	1	
PCJ10	Dripper - 1.0 gph with check valve	1	
PCJ20	Dripper - 2.0 gph with check valve	1	

DF Series Disc Filters

With Replaceable Filter Rings

Features

- Highly effective multiple disc filter design
- Simple, easy and thorough filter cleaning
- Low friction loss
- ¾" model available with or without manual shut-off valve
- 100% thermoplastic discs provide extremely high corrosion resistance
- 80, 140 and 200 disc filter rings available (call for specifications and pricing)
- Extra large filtration capacity means less frequent cleaning



Product	Description	Pkg	Each
DF075-120	¾" MPT x MPT 120 Mesh 13 GPM Max. Flow	1	
DFV075-120	¾" MPT x MPT 120 Mesh w/Ball Valve 13 GPM	1	
DF100-120	1" MPT x MPT 120 Mesh 22 GPM Max. Flow	1	
DF150-120	1½" MPT x MPT 120 Mesh 35 GPM Max. Flow	1	
DF150S-120	1½" Super MPT x MPT 120 Mesh 53 GPM	1	
DF200-120	2" MPT x MPT 120 Mesh 132 GPM Max. Flow	1	

Product	Description	Pkg	Each
DFR075080	¾" Filter Rings, 80 Mesh, Yellow	1	
DFR075120	¾" Filter Rings, 120 Mesh, Red	1	
DFR075140	¾" Filter Rings, 140 Mesh, Black	1	
DFR150080	1" & 1 ½" Filter Rings, 80 Mesh, Yellow	1	
DFR150120	1" & 1 ½" Filter Rings, 120 Mesh, Red	1	
DFR150140	1" & 1 ½" Filter Rings, 140 Mesh, Black	1	
DFR150200	1" & 1 ½" Filter Rings, 200 Mesh, Green	1	
DFR150L080	1½" Super Filter Rings, 80 Mesh, Yellow	1	
DFR150L120	1½" Super Filter Rings, 120 Mesh, Red	1	
DFR150L140	1½" Super Filter Rings, 140 Mesh, Black	1	
DFR150L200	1½" Super Filter Rings, 200 Mesh, Green	1	
DFR200080	2" Filter Rings, 80 Mesh, Yellow	1	
DFR200120	2" Filter Rings, 120 Mesh, Red	1	
DFR200140	2" Filter Rings, 140 Mesh, Black	1	
DFR200200	2" Filter Rings, 200 Mesh, Green	1	

Line Flushing Valves

Optimizes System Performance

Applications

- Drip irrigation systems
- Clean or dirty water

Features

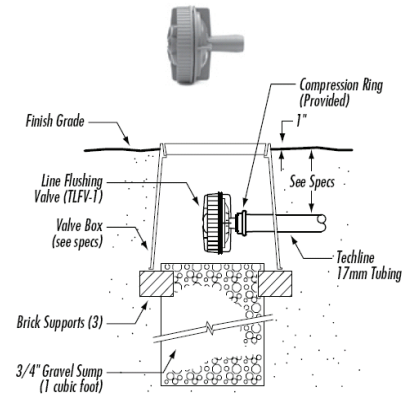
- Flushing reduces sediment build up
- Automatic cleaning operation at start of each irrigation cycle
- Unique design reacts to flow, not pressure, allowing operation even at full line pressure
- Can be disassembled, allows for winterization "blowout"

Specifications

- Flushing water volume: approx. 1 gallon per cycle
- Maximum zone flow rate per Flush Valve: 15 GPM
- Minimum pressure required: 1.5 PSI at line ends

Product	Description	Pkg	Each
TL050MFV	Automatic Flush Valve ½" MPT Inlet	1	
TLFV-1	Automatic Flush Valve Insert Inlet w/Collar	1	

Netafim Line Flushing Valve



Air Vacuum Relief Valve

Eliminates Negative Pressure



Features

- Eliminates vacuum that could draw contaminants into the piping system
- Non-corrosive

Product	Description	Pkg	Each
TLAVRV	Air/Vacuum Relief Valve ½" MPT	1	

LVCZ100075-LF Low Volume Control Zone - Low Flow

Includes:

- Hunter 24 VAC PGV-100JT-G 1" valve
- Netafim DF075-140 Filter
- Netafim PRV075LF 45V2K PRV
- For zones ranging from .25 - 4.4 GPM

LVCZ100075-HF Low Volume Control Zone - High Flow

Includes:

- Hunter 24 VAC PGV-100JT-G 1" valve
- Netafim DF075-140 Filter
- Netafim PRV075LF 45V2K PRV
- For zones ranging from 3.5 - 17.6 GPM



Flow Selection for PRV

