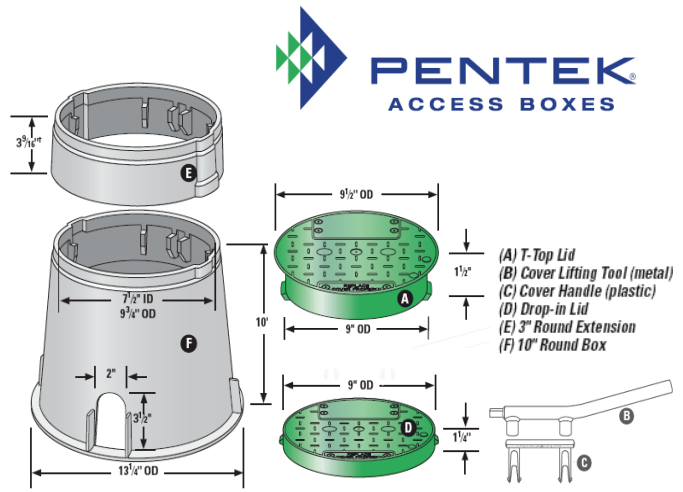
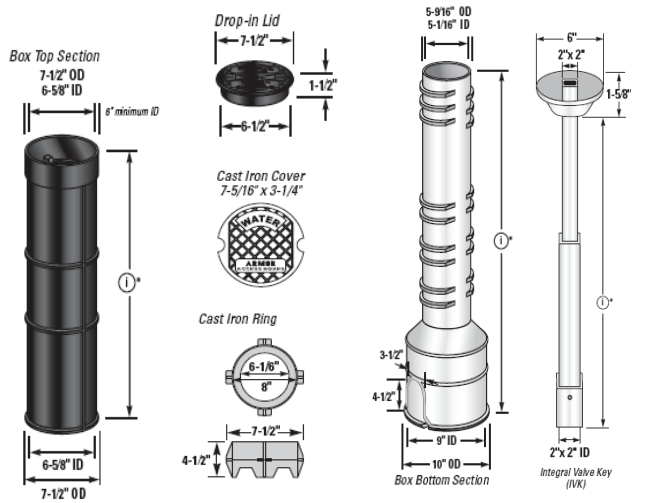
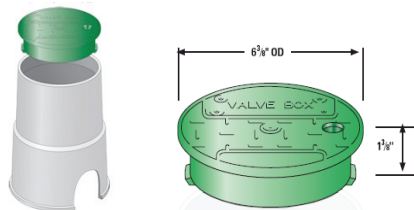


VALVE BOXES - PENTEK



Product	Description	Pkg	Each
5-1/4" ROADWAY BOX			
A-111129-01	5.25" Roadway Box & Cover 5-95-20 Plastic	1	
A-111129-02	5.25" Roadway Box & Cover 5-95-20 CI FF	1	
A-111136-03	5.25" Roadway Box & Cover 5-95-20 CI	1	
A-111129-03	5.25" Roadway Box & Cover 5-95-20 CI	1	
A-111133-03	5.25" Roadway Box & Cover 5-155-20 CI	1	
A-111130-01	5.25" Roadway Box & Cover 5-155-20 Plastic	1	
A-111036	5.25" Roadway Box Top 9.5" Top Black	1	
A-111037	5.25" Roadway Box Top 15.5" Top Black	1	
A-111038	5.25" Roadway Box Top 24.5" Top Black	1	
A-111048	5.25" Roadway Box Base 24" White	1	
A-111049	5.25" Roadway Box Base 24" White	1	
A-111031	5.25" Roadway Cover Green ICV	1	
A-111030	5.25" Roadway Cover Black ICV	1	
A-111026	5.25" Roadway Cover Cast Iron WATER	1	
A-111063	5.25" Roadway Cover Full Flanged Cast Iron	1	
A-185003	26"-44" Integral Valve with Debris Cap	1	
A-185004	48"-80" Integral Valve with Debris Cap	1	

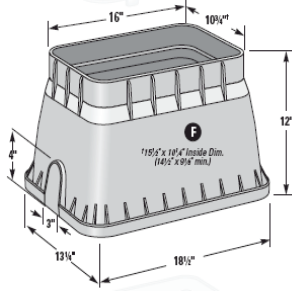
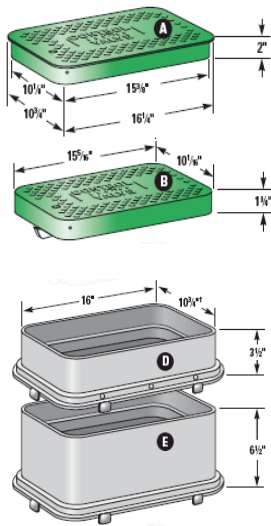
Product	Description	Pkg	Each
10" ROUND VALVE BOX			
A-184501	10" Round Box & T Cover Green ICV	1	
A-184502	10" Round Box & T Cover Black Electric	1	
A-181014	10" Round Box Black 2 MsHI	1	
A-181026	10" Round 3" Extension Black	1	
A-181015	10" Round Cover Green ICV	1	
A-181021	10" Round Cover Black Electric	1	
A-181018	10" Round Cover Black ICV	1	
A-181025	10" Round Cover Brown ICV	1	
A-144046	10" Round Cover Lift Tool	1	
A-184001	10" Round T Cover Green ICV	1	
A-184007	10" Round T Cover Black Electric	1	
A-184013	10" Round T Cover Green Reflector ICV	1	
A-184016	10" Round T Cover Black Reflector Electric	1	
A-184019	10" Round T Cover Tan Reflector ICV	1	
A-184003	10" Round T Cover Brown ICV	1	
A-144046	Cover Lifting Tool (metal)	1	
A-144495	Cover Handle (plastic)	1	
A-143004	Locking Screw	1	



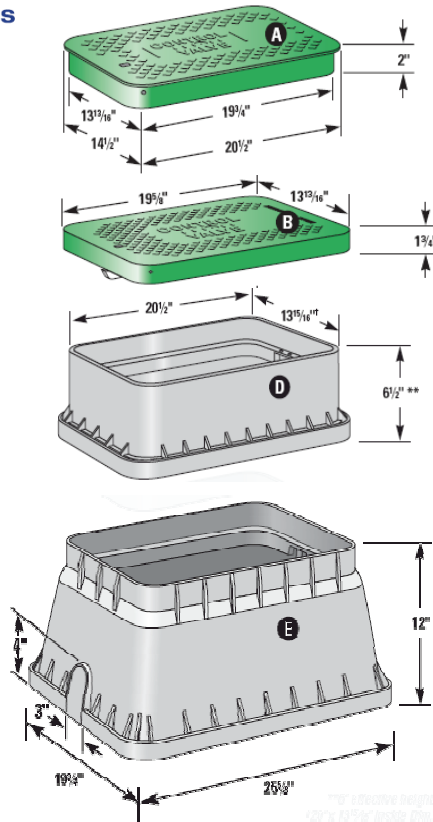
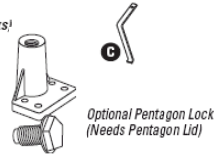
Product	Description	Pkg	Each
6" ROUND ECONO BOX			
A-182101	6" Econo Black Box & Green Cover VB	1	
A-182001	6" Econo Box Only with 2 MsHI	1	

Product	Description	Pkg	Each
TOOLS AND ACCESSORIES			
A-143004	ReflWasher Screw #8-18x1/2" LG Type 25	1	
A-143020	Reflector Washer 1.75" OD	1	
A-143511	Reflector Screw .25x14 x1.25"	1	
A-143003	LexanBolt-PentagonLock	1	
A-143013	Lexan Locking Nut-Pentagon Lock	1	

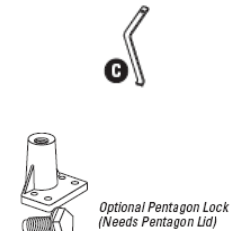




(A) T-Top Lid (No Locks)
 (B) Drop-in Lid (w/Snap Locks)
 (C) Optional Snap Lock Tool
 (D) 3" Extension
 (E) 6" Extension
 (F) 12" Standard Box
 (G) 6" Flared Box



(A) T-Top Lid (No Locks)
 (B) Drop-in Lid (w/Snap Locks)
 (C) Optional Snap Lock Tool
 (D) 3" Extension
 (E) Jumbo Box



Product	Description	Pkg	Each
12" STANDARD RECTANGULAR VALVE BOX			
A-170106	Standard Box & Cover Green ICV Snap	1	
A-174541	Standard Box & T Cover Black ICV	1	
A-170101	Standard Box 12" High 2 MsHI	1	
A-173134	Standard Cover Green ICV Snap	1	
A-173145	Standard Cover Brown ICV Snap	1	
A-174030	Standard T Cover Green ICV	1	
A-174005	Standard T Cover Black WATER No Lock	1	
A-170102	Standard 3" Extension Black For Meter Box	1	
A-170103	Standard 6" Extension Black For Meter Box	1	

Product	Description	Pkg	Each
JUMBO RECTANGULAR VALVE BOX			
A-190106	Jumbo Box Black & Cover Green ICV Snap	1	
A-194501	Jumbo Box & T Cover Black WATER	1	
A-194502	Jumbo Box & T Cover Green ICV Snap	1	
A-190101	Jumbo Box Black Closed MsHI	1	
A-190156	Jumbo Box Black 2 MsHI	1	
A-190110	Jumbo Box 6" Extension Black	1	
A-192101	Jumbo Cover Green ICV Snap	1	
A-194006	Jumbo T Cover Green ICV Pre Drilled	1	
A-194004	Jumbo T Cover Blk WATER METER Pre Drilled	1	

SUPERFLEXON BOXES AND COVERS

SUPERFLEXON is a plastic material made of a rigid combination of polyolefin and fibrous inorganic components. It is chemically inert and normally unaffected by moisture, corrosion and the effects of temperature changes. SUPERFLEXON also has a high tensile strength with light weight because it is a solid (not foamed) structural material.

SUPERFLEXON covers are NOT traffic covers and should not be used in roadways, etc.

- SUPERFLEXON material
 - Stronger than structural foam, greater top-load strength
 - More UV and wear resistant than structural foam
 - 10 Year Lid Guarantee



We value your business!

Moving forward to serve you better
 www.turf-equipment.com
 For a Quote or Order Call 800-827-3711

